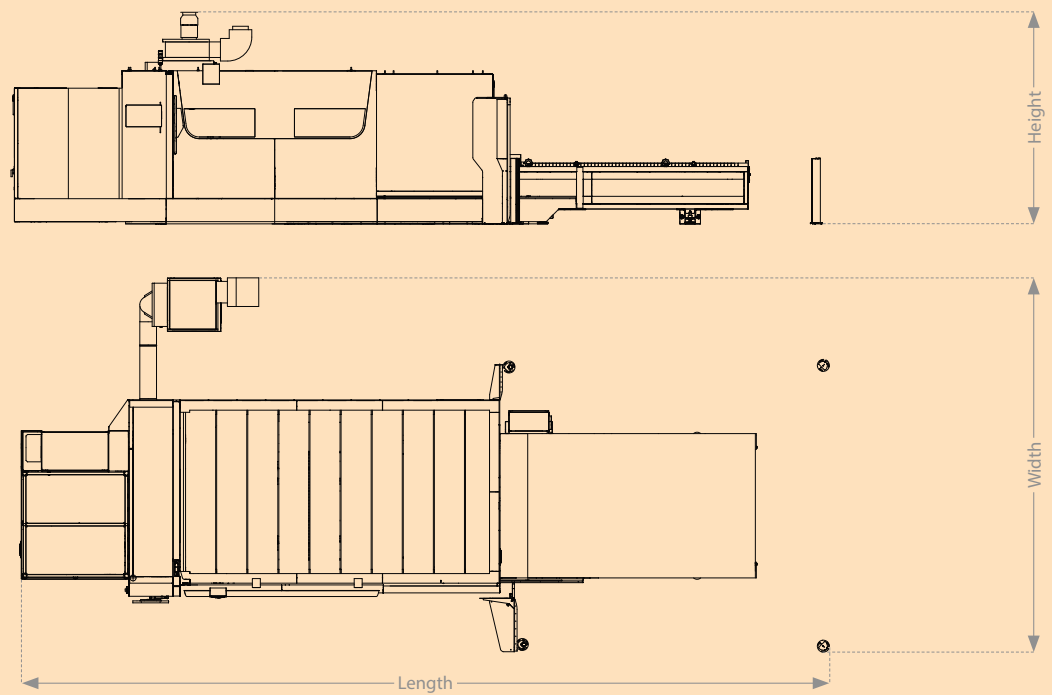


Technical Data

ByStar Fiber

	ByStar Fiber 3015	ByStar Fiber 4020	ByStar Fiber 6225	ByStar Fiber 8025	
Length	11 900	14 200	20 200	23 800	mm
Width	5 700	6 300	6 900	6 900	mm
Height	3 200	3 200	3 200	3 200	mm



Laser cutting system		ByStar Fiber 3015	ByStar Fiber 4020	ByStar Fiber 6225	ByStar Fiber 8025	
Nominal sheet size	x	3000	4000	6200	8000	mm
	y	1500	2000	2500	2500	
Cutting area	x	3100	4105	6250	8150	mm
	y	1580	2100	2600	2600	
	z	100	100	150	150	
Maximum positioning speed parallel axis x, y		120	120	120	120	m/min
Maximum simultaneous positioning speed		170	170	170	170	m/min
Bilateral repeatability of positioning of one axis R*		0,025	0,025	0,025	0,025	mm
Averaged, bilateral position deviation of one axis M*		0,05	0,05	0,1	0,1	mm
Edge detection accuracy		± 0,5	± 0,5	± 0,5	± 0,5	mm
Maximum workpiece weight		1100	1900	3650	4710	kg
Maximum allowed workpiece weight on both shuttle tables		1850	3200	7300	9420	kg
Machine weight**		11 000	14 500	22 000	27 000	kg
Operation via panel		ByVision Cutting Touchscreen and manual control unit				

Laser source	Fiber 3000	Fiber 4000	Fiber 6000	Fiber 8000	Fiber 10000	^{b)} Fiber 12000	
Power	3000	4000	6000	8000	10000	12000	W
Control range	300–3000	400–4000	600–6000	800–8000	1000–10000	1200–12000	W
Wavelength	Fiber	Fiber	Fiber	Fiber	Fiber	Fiber	
Maximum sheet thicknesses***							
Steel	20/20 ^{a)}	20/25 ^{a)}	25/30 ^{a)}	25/30 ^{a)}	25/30 ^{a)}	25/30 ^{a)}	mm
Stainless steel	12	15	30	30	30	30	mm
Aluminum	12	20	30	30	30	30	mm
Brass	6	8	15	15	15	15	mm
Copper	6	8	12	12	12	12	mm
Total electrical consumption of system****							
ByStar Fiber 3015	19	21	22	24	25	25	kW
ByStar Fiber 4020	19	21	22	27	28	27	kW
ByStar Fiber 6225	20	22	23	26	27	27	kW
ByStar Fiber 8025	20	22	23	26	27	27	kW

* Following ISO 230-2:2014(E)

** Entire system without exhaust, chiller and parts conveyor

*** In order to cut the maximum thicknesses, the following conditions must be met
– optimally maintained and adjusted laser cutting systems
– the materials must be of the quality specified by Bystronic (laser materials)

**** Entire system with exhaust and chiller: Electrical consumption data shows an average value based on 4 reference cutting plans of mild steel between 1–10 mm thickness

a) with option BeamShaper

b) Fiber 15 000 only for ByStar Fiber 3015 + 4020

The right to make changes to dimensions, construction, and equipment is reserved. ISO-9001-certified.



Bystronic: Best choice.

Cutting | Bending | Automation
bystronic.com